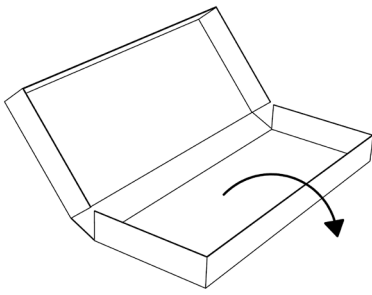


- SE** Duschkabin
- DK** Brusekabine
- NO** Kabinett
- FI** Suihkukaappi
- GB** Shower cubicle



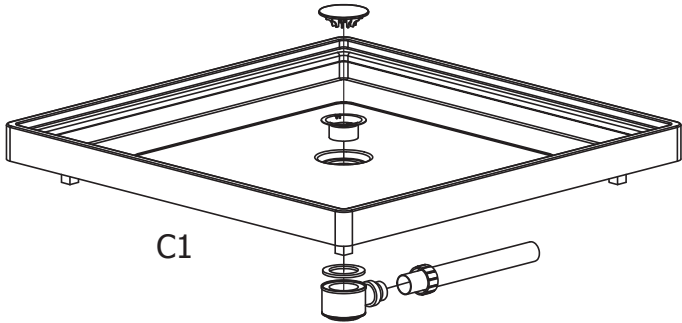
| | | | | | |
|----------|----------|----------|----------|----------|----------|
| | | | | | |
| | | | | | |
| A1 x 1 | A2 x 1 | A3 x 1 | A4 x 1 | A5 x 1 | A6 x 1 |

| | | | | | |
|----------|----------|----------|-----------|-----------|-----------|
| | | | | | |
| | | | | | |
| A7 x 2 | A8 x 1 | A9 x 1 | A10 x 1 | A11 x 1 | A12 x 1 |

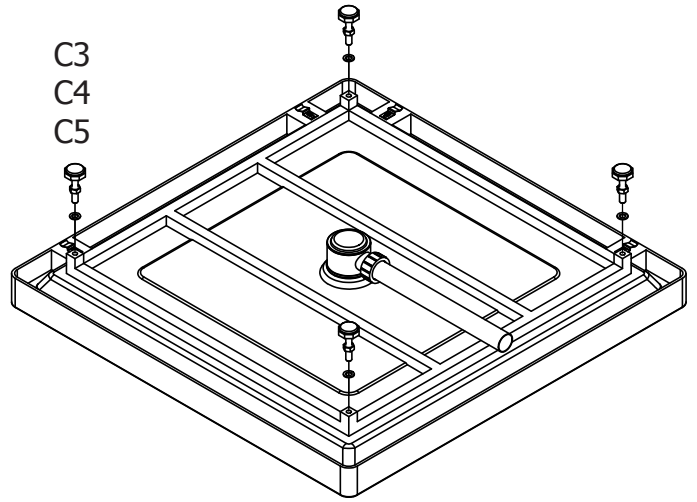
| | | | | | |
|-----------|-----------|-----------|----------|----------|----------|
| | | | | | |
| | | | | | |
| A13 x 3 | A14 x 4 | A15 x 6 | B1 x 1 | B2 x 2 | C1 x 1 |

| | | | | |
|----------|----------|----------|----------|----------|
| | | | | |
| | | | | |
| C2 x 1 | C3 x 4 | C4 x 4 | C5 x 4 | D1 x 1 |
| | | | | Ø3 |

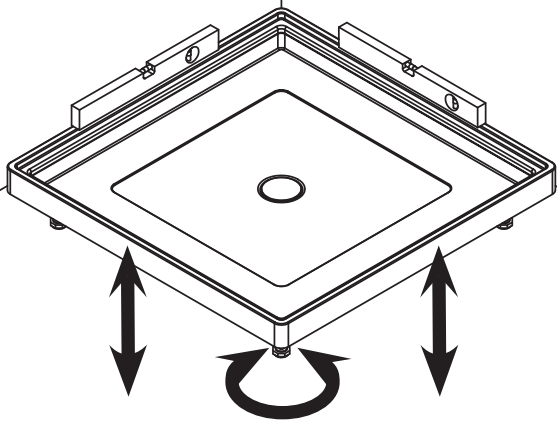
1



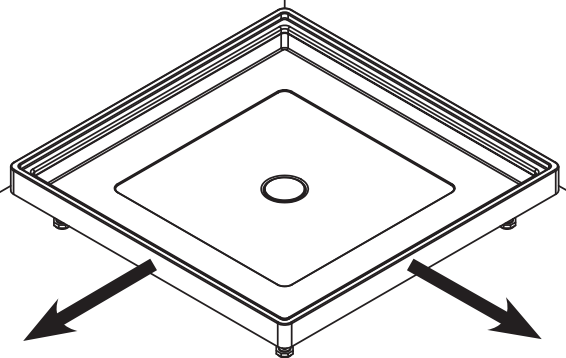
2

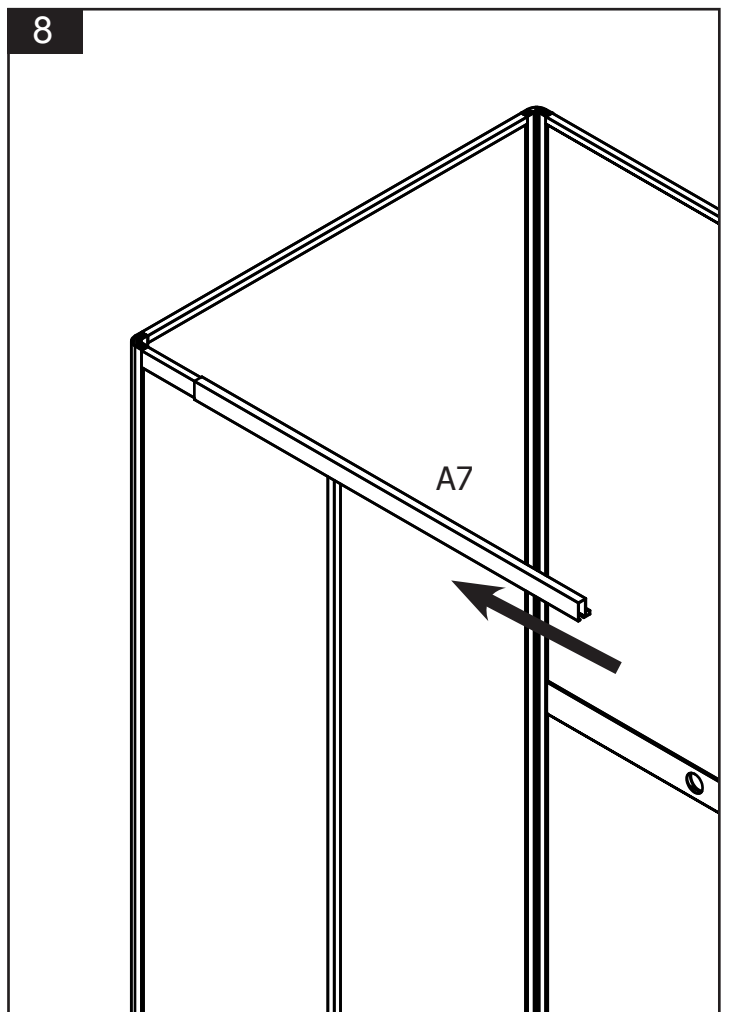
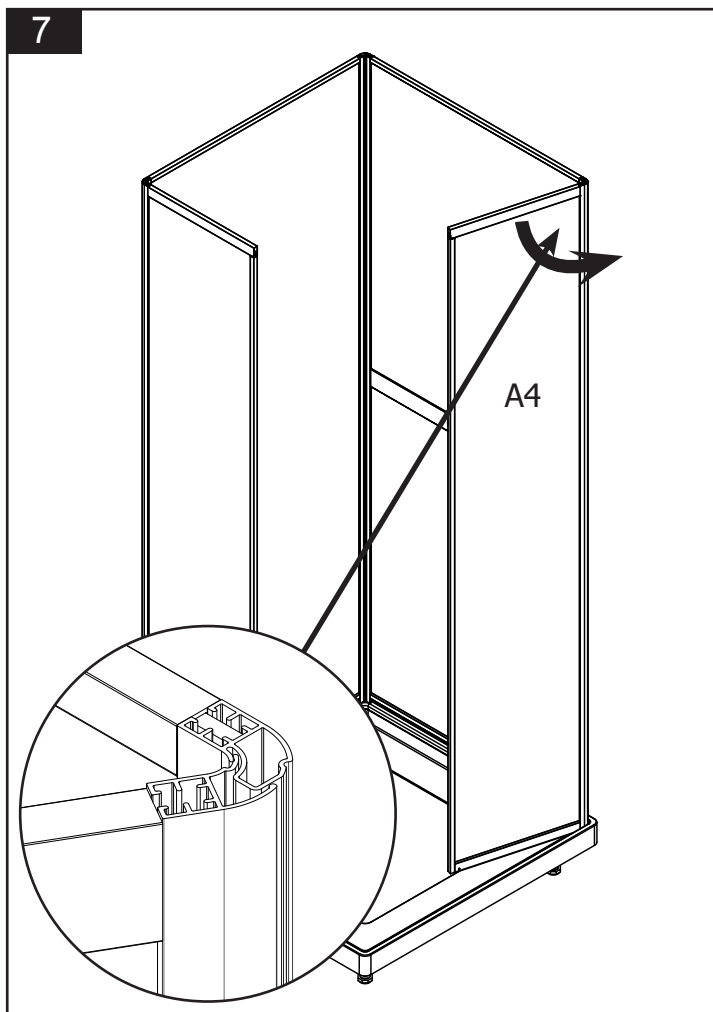
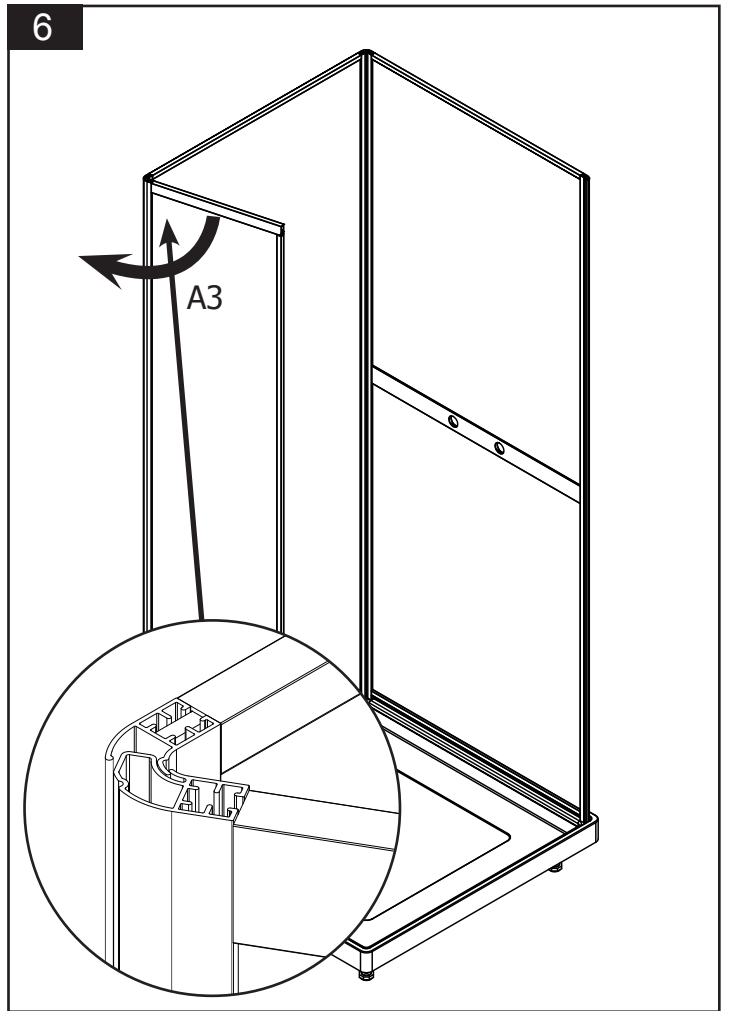
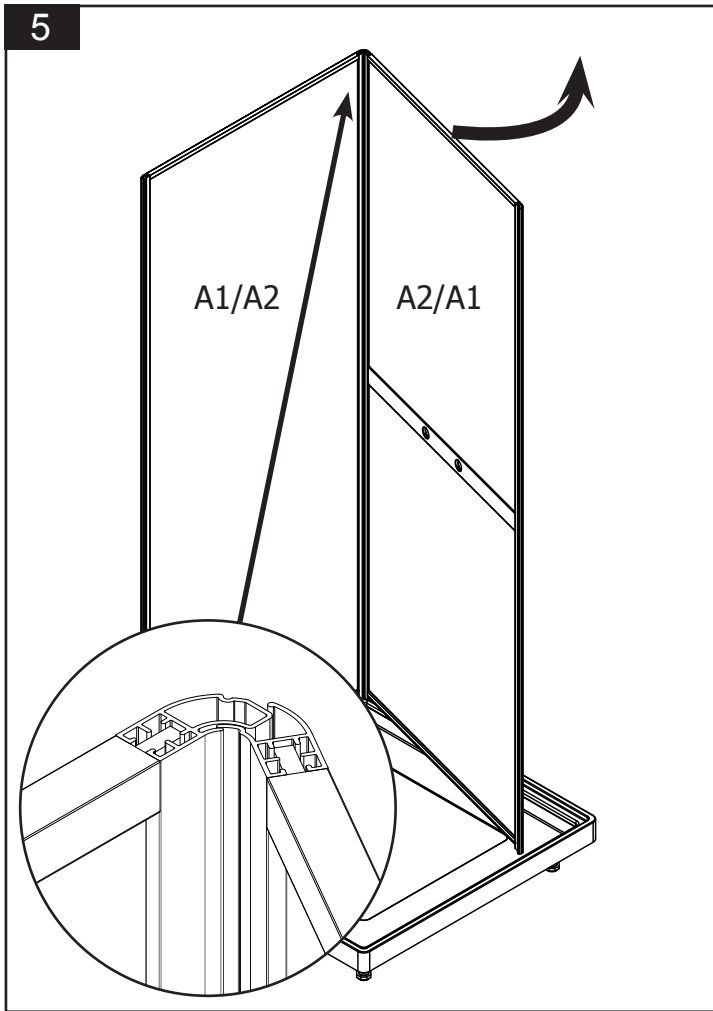


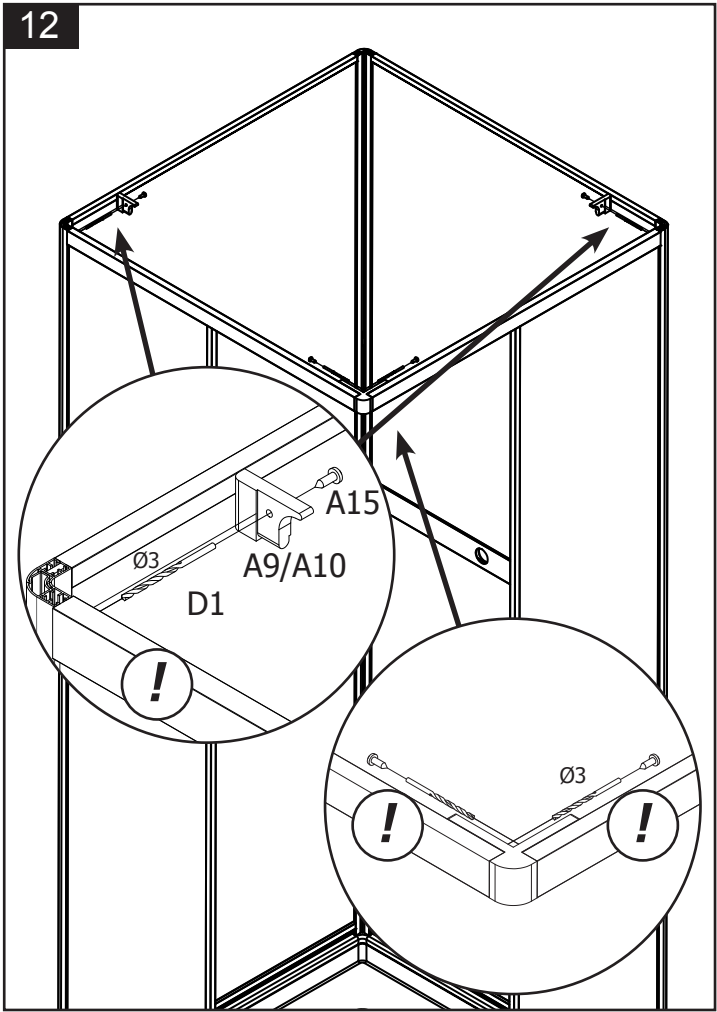
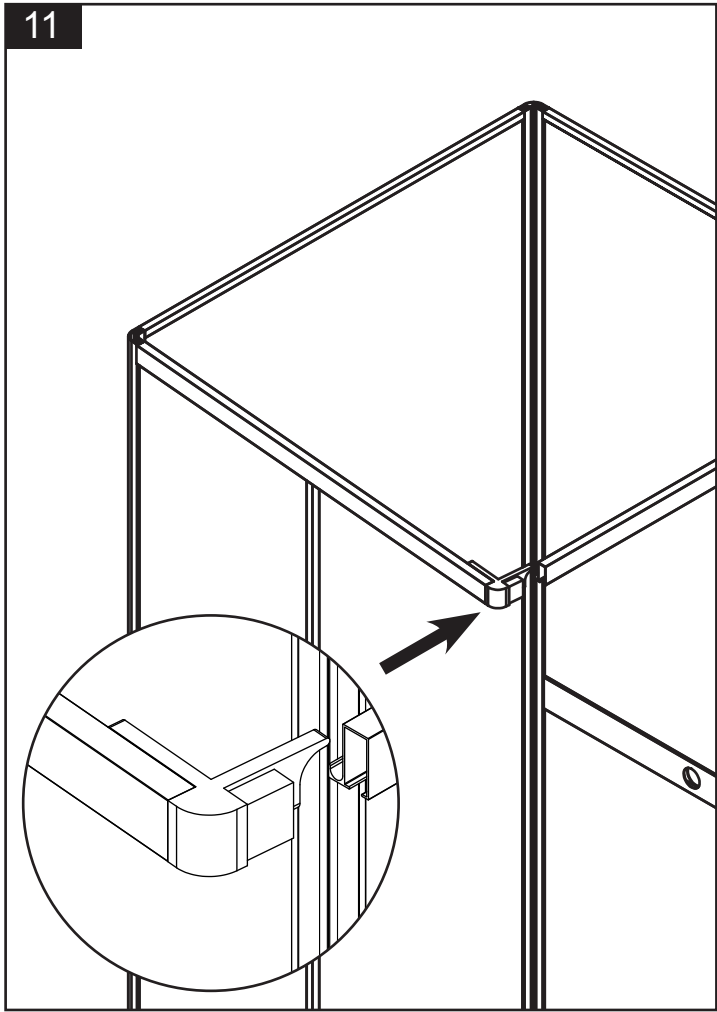
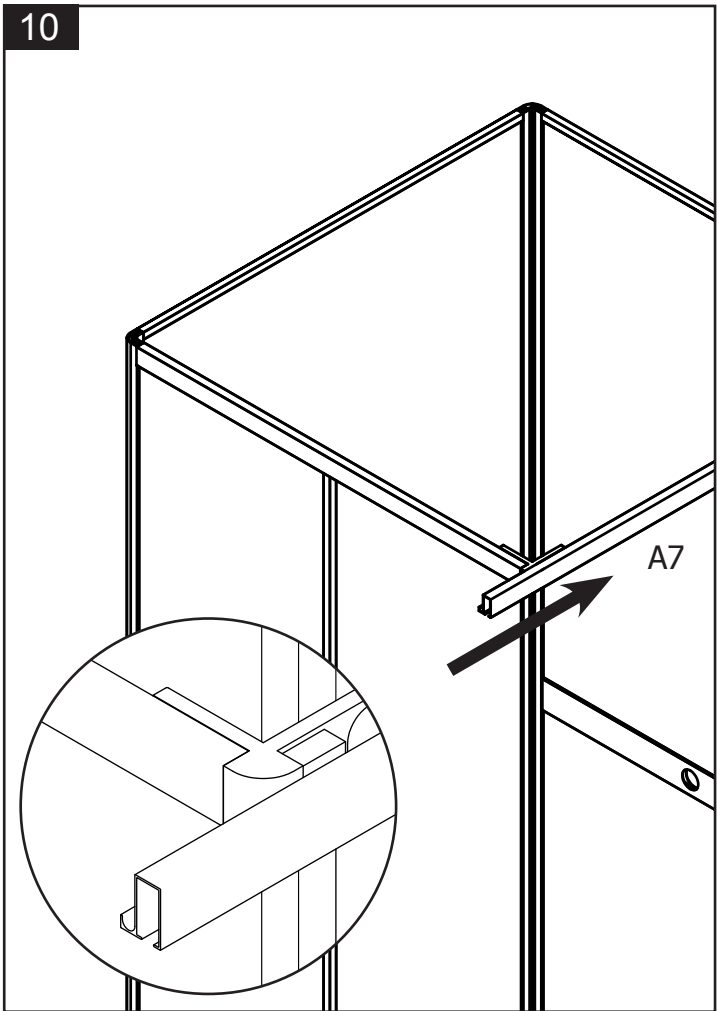
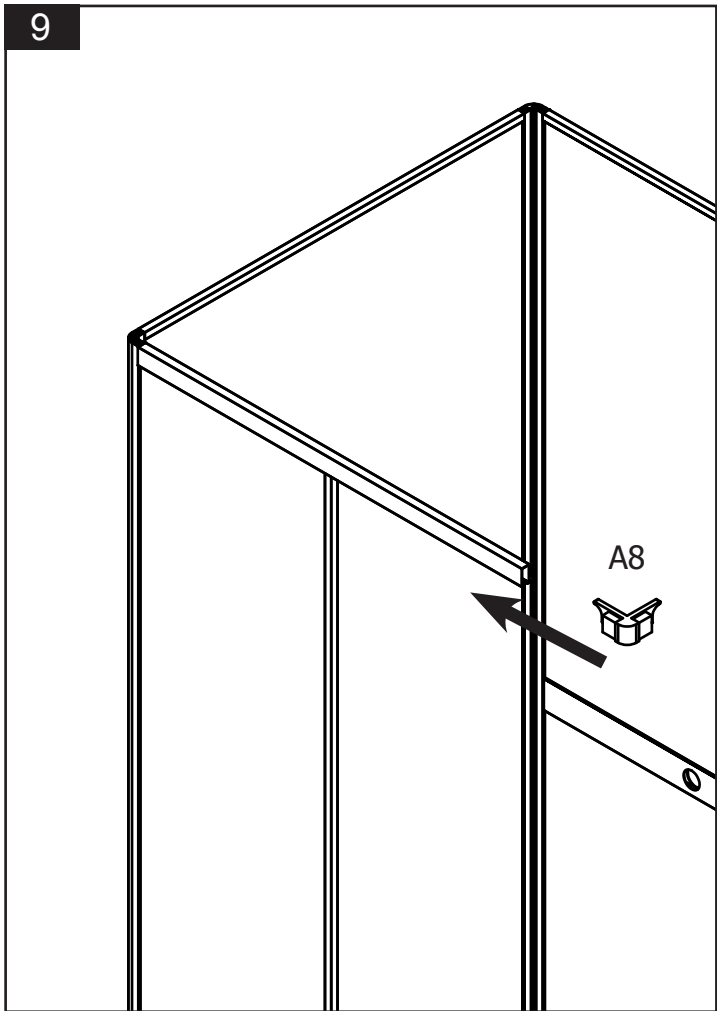
3

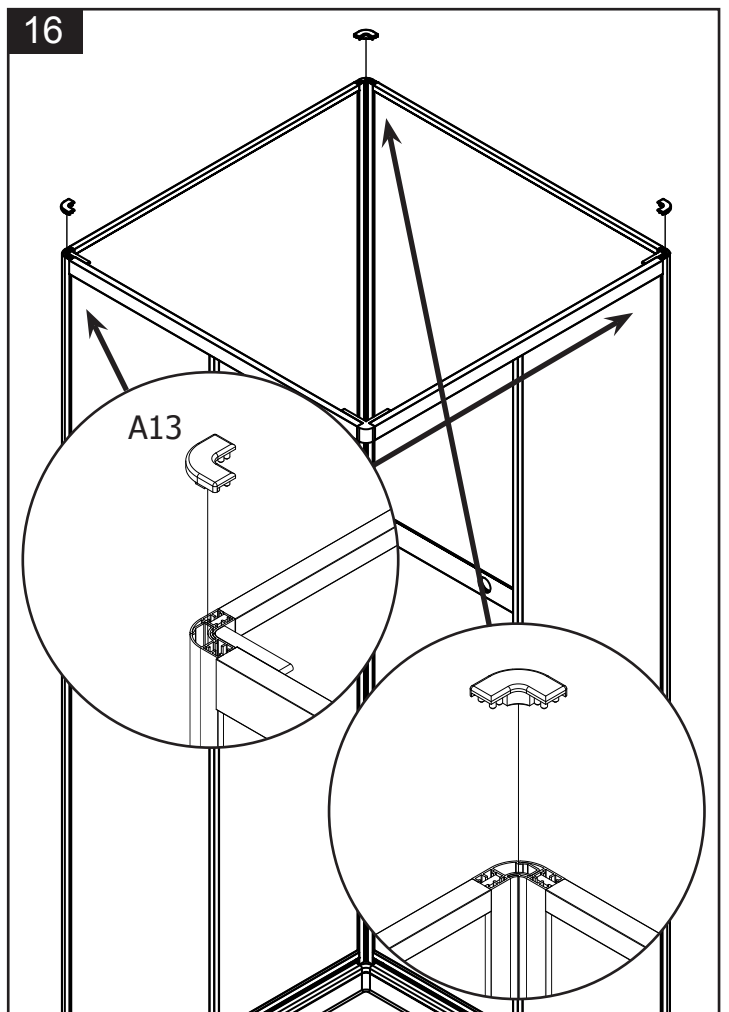
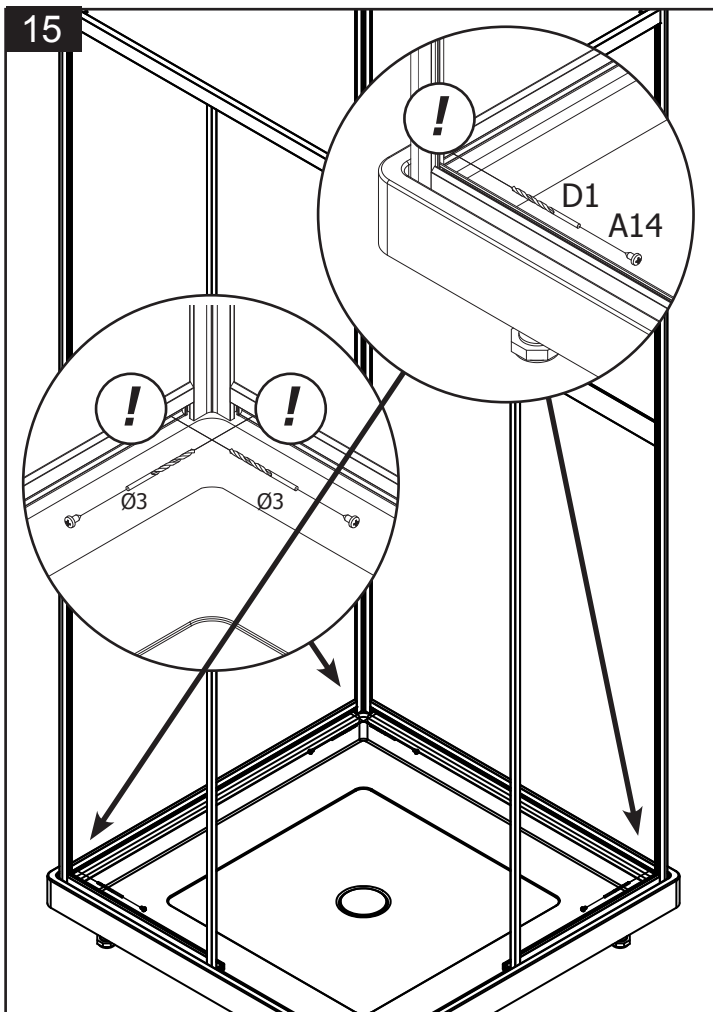
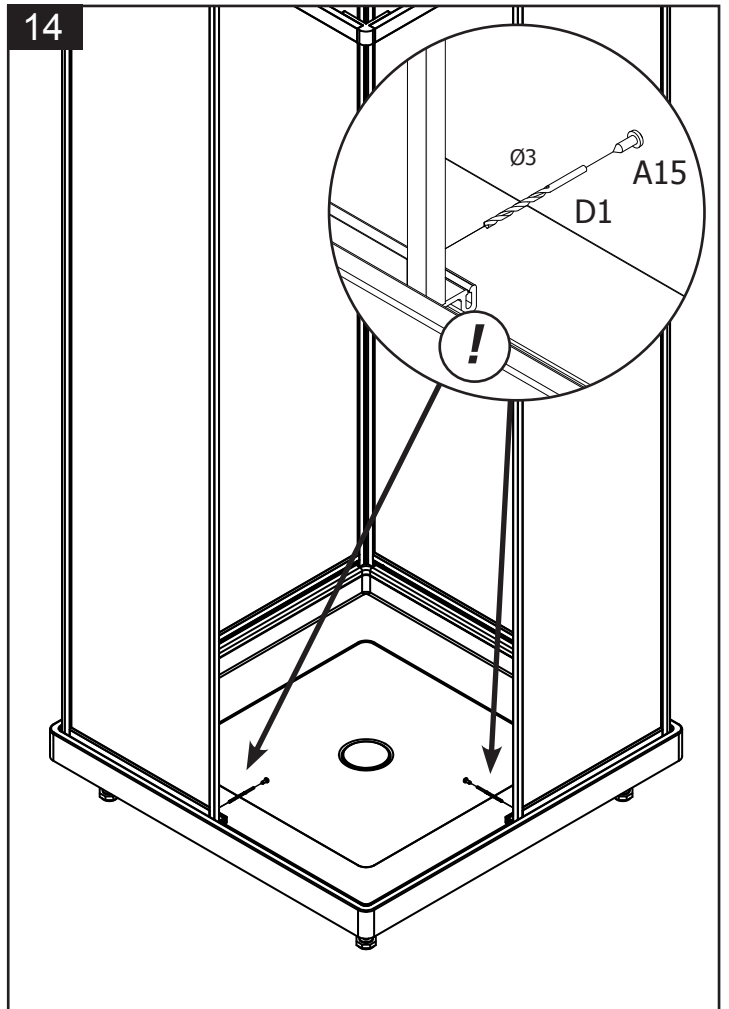
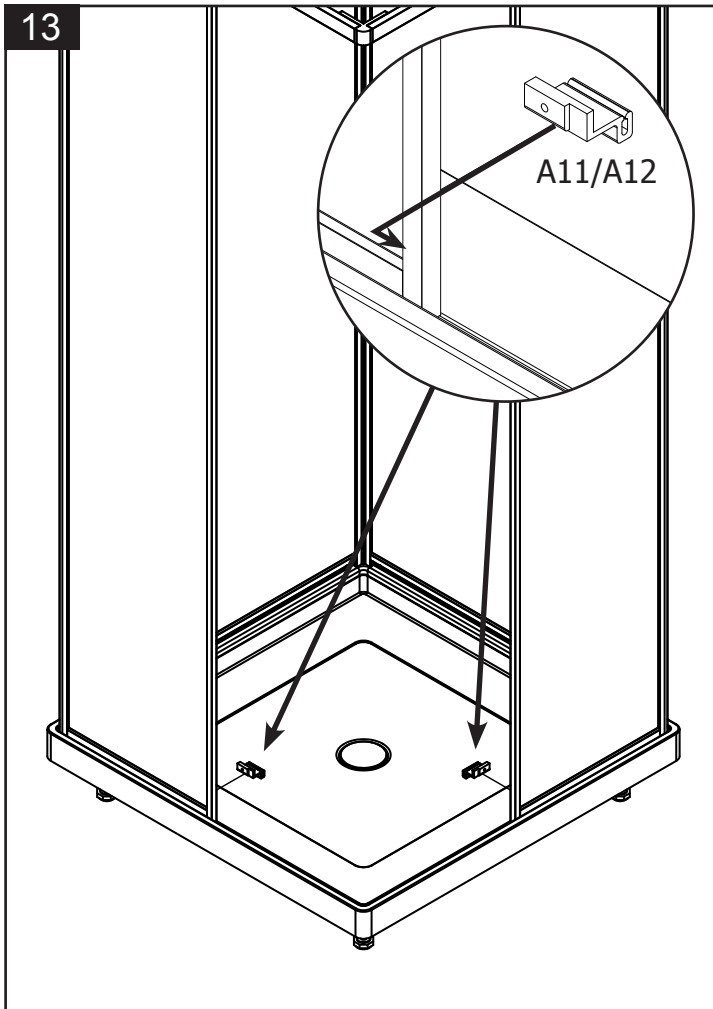


4

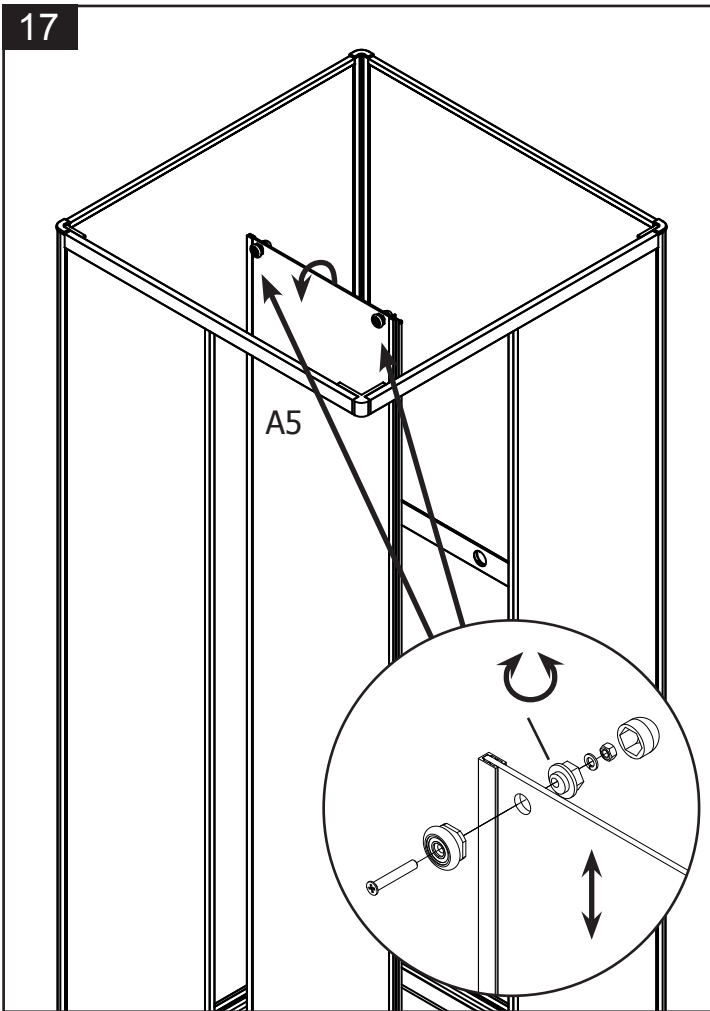




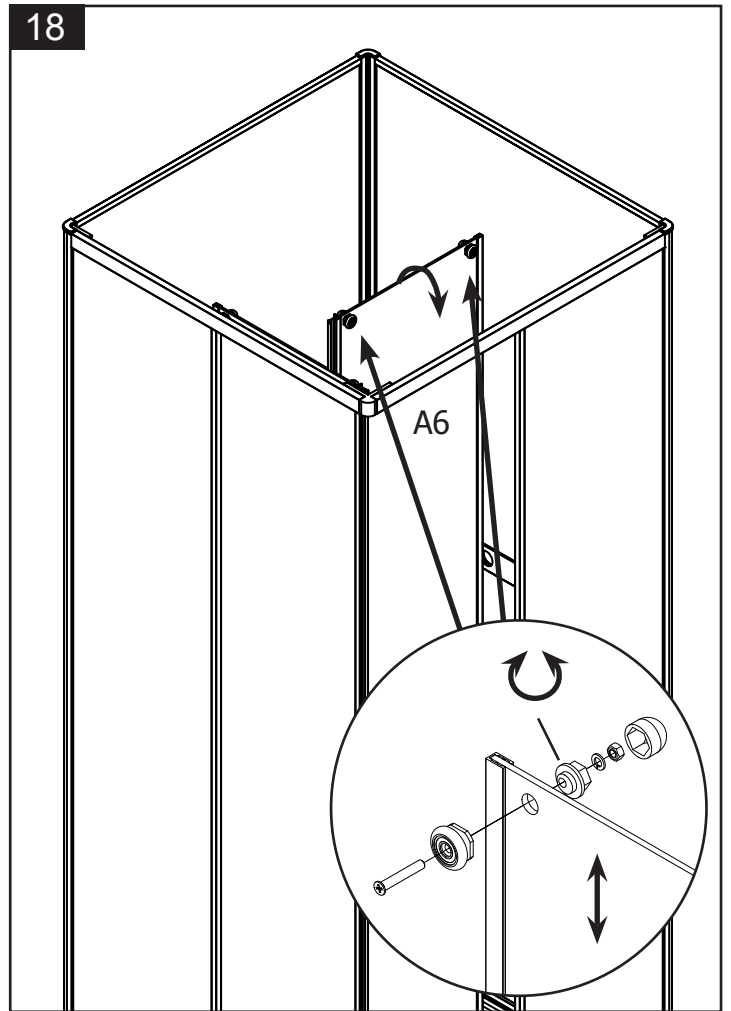




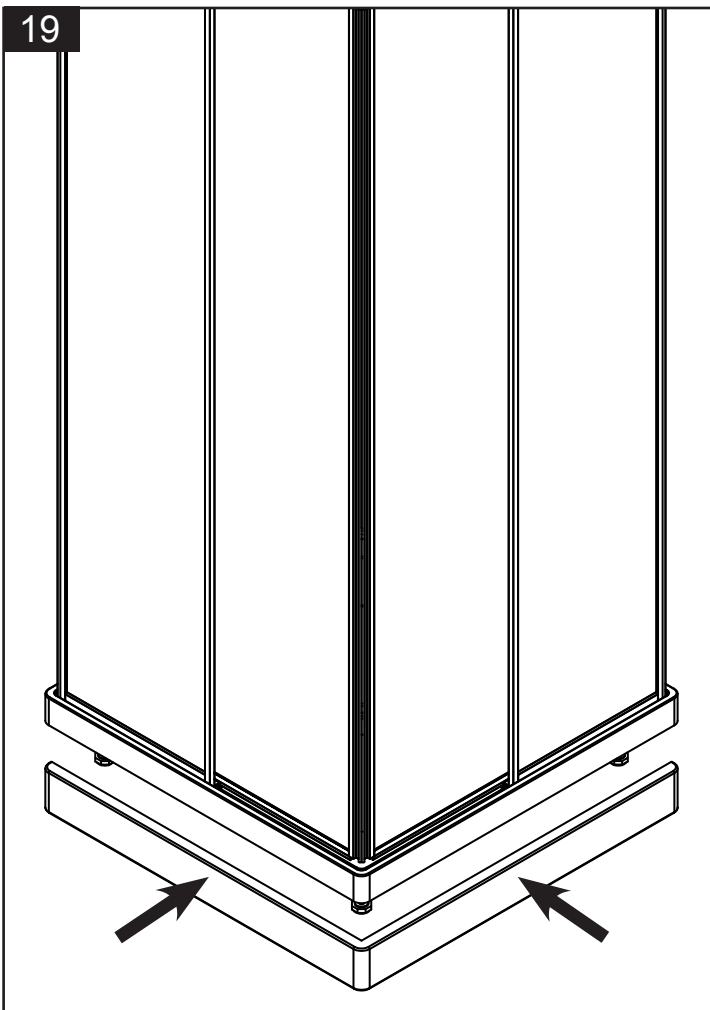
17



18



19



20

